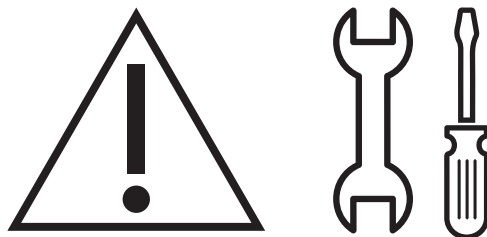


| | | |
|-----------|---|---|
| ZH | 安全資訊及安裝指示 | 2 |
| EN | Safety Information and Installation Instruction | 4 |



ZH 1. ⚠ 安全資訊

請在安裝和使用本機之前，仔細閱讀所提供的指示。對於安裝和使用錯誤所造成的人身傷害或損害，製造商概不負責。務必將說明書擺放在安全可觸及的地方，以便將來參考。

1.1 兒童和弱勢群體安全事項

- 8 歲 (含) 以上之兒童、身體官能或心智能力衰退者，或是經驗與使用知識缺乏者，需在有人監督或說明以安全的方法使用本機，並讓他們了解可能危險的情況下，方可使用本機。除非有人繼續監督，否則年齡少於 8 歲的兒童以及有非常廣泛及複雜殘疾情況的人員應遠離本機。
- 請監督兒童確保他們不會玩耍本機。
- 將所有包裝放在兒童不易觸及之處，並妥善丟棄。
- 本機運作時，請讓兒童和寵物遠離本機。
- 不得由兒童在無人監督的情況下進行清潔與使用者維護。

1.2 一般安全需知

- 本機適合在家用爐具、炊具和類似烹飪裝置的上方使用。
- 本電氣設計給室內環境中單一家庭使用。
- 本電器可用於辦公室、飯店客房、住宿加早餐客房、農場客房和其他不超過 (平均) 家庭使用基準的類似住宿。
- 進行任何維護作業前，請先拔除本機的電源線。
- 注意：與烹飪器具一起使用時，可觸及的零件可能會變得非常燙。
- 僅使用本機隨附的固定螺釘 (如果未提供)，請使用安裝指示中推薦的螺釘。將本機安裝在安全適當且符合安裝要求的位置。
- 警告：未依照這些指示安裝螺絲或固定裝置可能會導致電氣危險。
- 請勿使用膠粘劑來固定本機。
- 除非本機或爐具的安裝指示另有規定，否則放置平底鍋的爐具表面與本機下部之間的最小距離至少應為 65cm。
- 空氣排放必須符合當地主管機關的規定。
- 確認安裝本機的室內具備良好通風，以免家用設備燃燒瓦斯或其他燃料 (包括使用明火) 時產生的氣體逆流向流回室內。

- 確保通風口未受到堵塞，而且本機收集的空氣未傳遞到用於排出其他電器（中央暖氣系統、熱虹吸、熱水器等）的煙霧與蒸汽的管道中。
- 當本機與其他電器一起使用時，室內產生的最大真空不應超過 0.04 mbar。
- 請確認不會損壞電源線。請聯絡授權服務中心或電器技師以更換受損的電源線。
- 如果本機直接連接至電源供應器，則電氣安裝必須配備隔離裝置，以便能夠將本機從所有主電源電極斷開連接。必須遵循電壓類別 III 規定的條件完全斷開主電源。電器在安裝後需可切斷電源。可藉由拔除插頭或以依配線規則在固定配線中內含之開關切斷電源
- 請勿在本機下方燃燒。
- 請勿用於排放危險或易爆材料和蒸氣。
- 請用軟布定期清潔本機以避免表面材質老化。
- 請勿使用蒸氣清潔劑、噴霧、粗糙的研磨性清潔劑或鋒利的金屬刮刀清潔本機表面。僅限使用中性清潔劑。
- 請定期清潔油脂過濾器（至少每 2 個月一次）並清除本機中的油垢沉積物，以避免起火的風險。
- 請使用布清潔本機內部。

2. 安全說明

2.1 安裝

警告!


受傷、觸電、失火、燙傷或對本機造成損壞的風險。

- 僅限由合格人員安裝本機。
- 本機若受損，請勿安裝或使用。
- 請按照本機隨附的安裝指示進行安裝。
- 移動本機時務必小心，因為器具很重。請務必使用安全手套，並穿上有包覆性的鞋子。
- 在安裝本機之前，請移除所有包裝、標籤和保護膜。
- 請勿將排氣口安裝到牆壁內腔中，除非內腔設計旨在用於此目的。

2.2 電器連線

警告!

可能會導致火災和觸電危險。

- 所有的電氣連接皆應由合格的電工執行。
- 確定銘牌上的參數與主電源電功率額定值相容。
- 如果銘牌上未印上符號 ()，則必須將本機接地。
- 一律使用已正確安裝的防震插座。
- 請勿讓電源電纜糾纏在一起。
- 請勿使用多插頭轉接插座和延長線。
- 如果電源插座鬆脫，請勿連接電源插頭。
- 請勿以拉扯電源線的方式拔掉本機電源線。請一律從電源插頭處拔下。
- 防震的帶電零件和絕緣零件，必須鎖緊到需使用工具才能卸下的程度。
- 請確定已經正確安裝本機。鬆動與不正確的電源線會讓端子變得過熱。

- 安裝結束時，請連接本機。確保安裝後可以使用電源。

2.3 使用方式

警告!

可能會導致受傷、燙傷和觸電的危險。

- 本機僅用於烹飪用途。請勿將本機用於其他用途。
- 請勿變更本機規格。
- 請勿在雙手濕潤的情況下或在本機接觸到水份的情況下操作本機。
- 僅限使用本機隨附的配件。
- 在烹飪和油炸過程中，請將火焰或加熱的物體遠離油脂和油。
- 請勿使用無蓋電烤架。
- 請勿將本機作為存放檯面使用。
- 請勿使用放大鏡、望遠鏡或類似的光學裝置直視本機的照明。
- 如果本機與其他裝置搭配使用，則最大擴展壓力不得超過 4 Pa (4x10⁻⁵ bar)。

2.4 服務

- 聯絡「授權服務中心」以修復本機。僅可使用原廠的備用零件。
- 關於此產品內部的燈和備用零件燈另行販售：這些燈的作用是抵抗家電中的極致物理情況(例如溫度、振動、濕度)，或是顯示關於家電操作狀態的相關資訊。這些燈設計並非用於其他應用程式且不適用於家庭房間照明之用。

2.5 棄置

警告!

受傷或窒息的風險。

- 如需如何棄置本機的資訊，請聯絡地方主管機關。
- 拔除本機的主電源線。
- 剪斷本機附近的主電源線並丟棄。

1. SAFETY INFORMATION

Before the installation and use of the appliance, carefully read the supplied instructions. The manufacturer is not responsible for any injuries or damage that are the result of incorrect installation or usage. Always keep the instructions in a safe and accessible location for future reference.

1.1 Children and vulnerable people safety

- This appliance can be used by children aged from 8 years and above and persons with reduced physical, sensory or mental capabilities or lack of experience and knowledge if they have been given supervision or instruction concerning the use of the appliance in a safe way and understand the hazards involved. Children of less than 8 years of age and persons with very extensive and complex disabilities shall be kept away from the appliance unless continuously supervised.
- Children should be supervised to ensure that they do not play with the appliance.

- Keep all packaging away from children and dispose of it appropriately.
- Keep children and pets away from the appliance when it operates.
- Children shall not carry out cleaning and user maintenance of the appliance without supervision.

1.2 General Safety

- This appliance is intended for domestic use above hobs, cookers and similar cooking devices.
- This appliance is designed for single household domestic use in an indoor environment.
- This appliance may be used in, offices, hotel guest rooms, bed & breakfast guest rooms, farm guest houses and other similar accommodation where such use does not exceed (average) domestic usage levels.
- Before carrying out any maintenance, disconnect the appliance from the power supply.
- **CAUTION:** Accessible parts may become hot during use with cooking appliances.
- Use only the fixing screws supplied with the appliance if not supplied, use the screws recommended in the installation instructions. Install the appliance in a safe and suitable place that meets installation requirements.
- **WARNING:** Failure to install the screws or fixing device in accordance with these instructions may result in electrical hazards.
- Do not use adhesives to fix the appliance.
- The minimum distance between the hob surface on which the pans stand and the lower part of the appliance shall be at least 65 cm, unless otherwise specified in the installation instructions for the appliance or hob.
- The discharge of air must comply with local authorities regulations.
- Ensure good air ventilation in the room where the appliance is installed to avoid the backflow of gases into the room

from appliances burning gas or other fuels, including open fires.

- Make sure that the ventilation openings are not blocked and the air collected by the appliance is not conveyed into a duct used to exhaust smoke and steam from other appliances (central heating systems, thermosiphons, water-heaters, etc.).
- When the appliance operates with other appliances the maximum vacuum generated in the room should not exceed 0.04 mbar.
- Make sure not to cause damage to the mains cable. Contact our Authorised Service Centre or an electrician to change a damaged mains cable.
- If the appliance is connected directly to the power supply, the electrical installation must be equipped with an isolating device that allows to disconnect the appliance from the mains at all poles. Complete disconnection must comply with conditions specified in the overvoltage category III. The means for disconnection must be incorporated in the fixed wiring in accordance with the wiring rules.
- Do not flambé under the appliance.
- Do not use to exhaust hazardous or explosive materials and vapours.
- Clean the appliance regularly with a soft cloth to prevent the deterioration of the surface material.
- Do not use a steam cleaner, water spray, harsh abrasive cleaners or sharp metal scrapers to clean the surface of the appliance. Use only neutral detergents.
- Clean grease filters regularly (at least every 2 months) and remove grease deposits from the appliance to prevent the risk of fire.
- Use a cloth to clean the interior of the appliance.

2. SAFETY INSTRUCTIONS

2.1 Installation

WARNING!


Risk of injury, electric shock, fire, burns or damage to the appliance.

- Only a qualified person must install this appliance.
- Do not install or use a damaged appliance.
- Follow the installation instructions supplied with the appliance.
- Always take care when moving the appliance as it is heavy. Always use safety gloves and enclosed footwear.
- Before installing the appliance remove all the packaging, the labelling and the protective film.
- Do not install the exhaust air into a wall cavity, unless the cavity is designed for that purpose.

2.2 Electrical connection

WARNING!

Risk of fire and electric shock.

- All electrical connections should be made by a qualified electrician.
- Make sure that the parameters on the rating plate are compatible with the electrical ratings of the mains power supply.
- If the symbol () is not printed on the rating plate, the appliance must be earthed.
- Always use a correctly installed shockproof socket.
- Do not let the electricity mains cable tangle.
- Do not use multi-plug adapters and extension cables.
- If the mains socket is loose, do not connect the mains plug.
- Do not pull the mains cable to disconnect the appliance. Always pull the mains plug.
- The shock protection of live and insulated parts must be fastened in such a way that it cannot be removed without tools.

- Make sure the appliance is installed correctly. Loose and incorrect electricity mains cable can make the terminal become too hot.
- Connect the appliance at the end of the installation. Make sure that there is access to the mains after the installation.

2.3 Use

WARNING!

Risk of injury, burns and electric shock.

- This appliance is for cooking purpose only. Do not use the appliance for other purpose.
- Do not change the specification of this appliance.
- Do not operate the appliance with wet hands or when it has contact with water.
- Use only the accessories supplied with the appliance.
- Keep flames or heated objects away from fats and oils during cooking and frying.
- Do not use uncovered electric grills.
- Do not use the appliance as a storage surface.
- Do not use magnifying glasses, binoculars or similar optical devices to look directly at the lighting of the appliance.
- If the appliance works with other devices, the maximum developed pressure must not exceed 4 Pa (4x10⁻⁵ bar).

2.4 Service

- To repair the appliance contact the Authorised Service Centre. Use original spare parts only.
- Concerning the lamp(s) inside this product and spare part lamps sold separately: These lamps are intended to withstand extreme physical conditions in household appliances, such as temperature, vibration, humidity, or are intended to signal information about the operational status of the appliance. They are not intended to be used in other applications and are not suitable for household room illumination.

2.5 Disposal



WARNING!

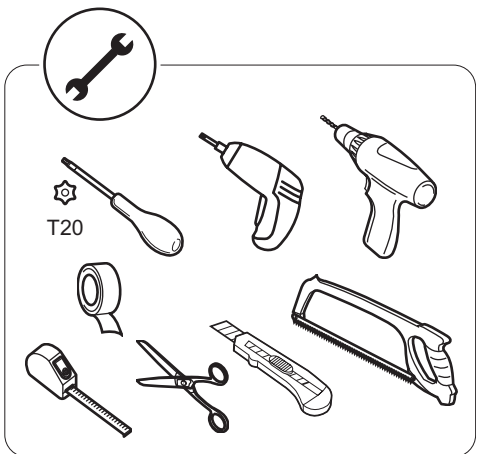
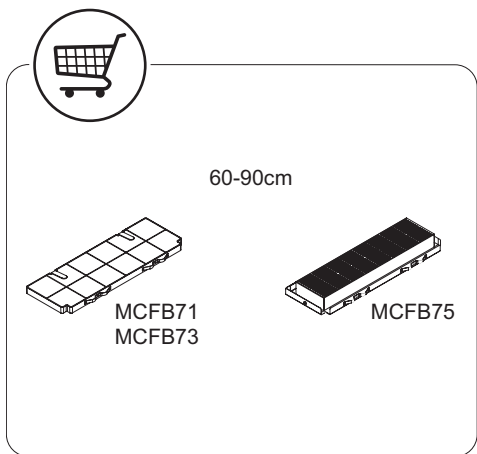
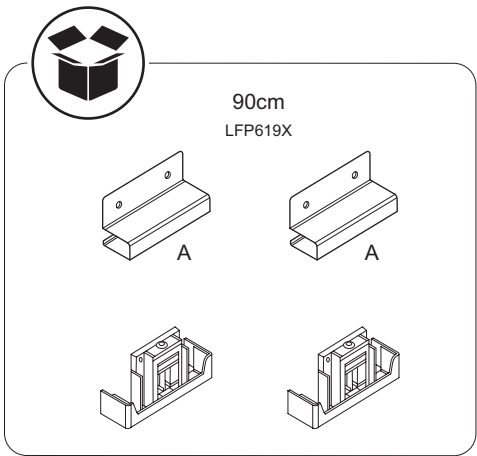
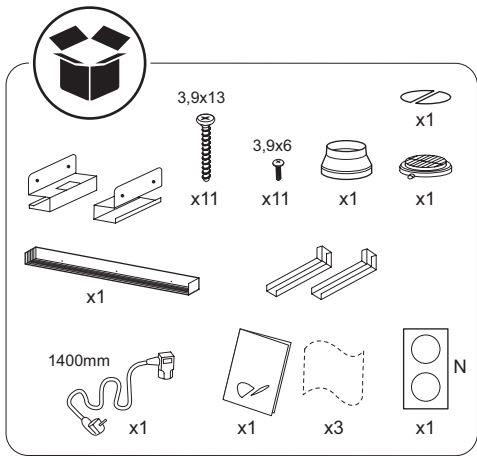
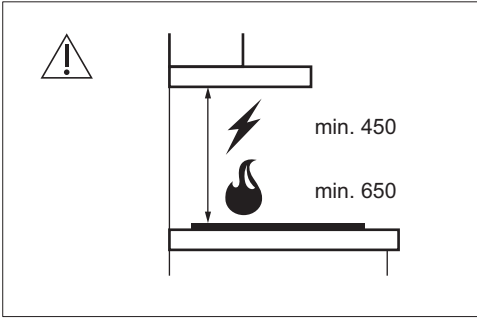
Risk of injury or suffocation.

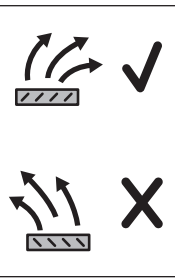
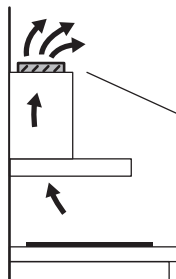
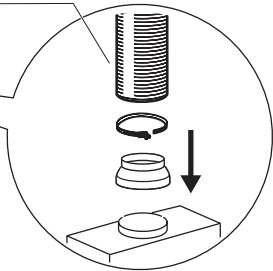
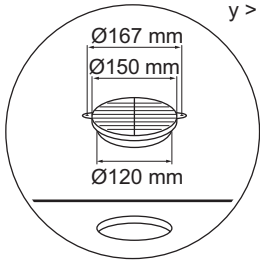
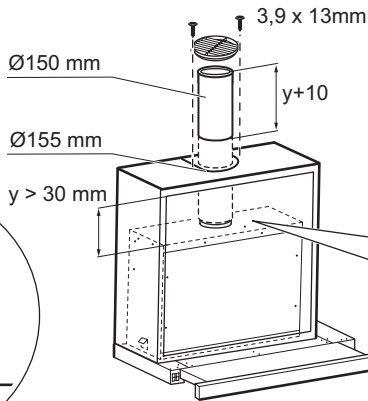
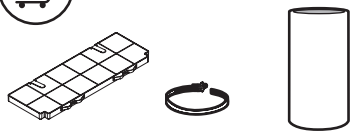
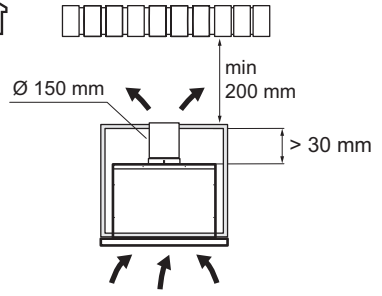
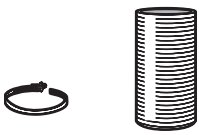
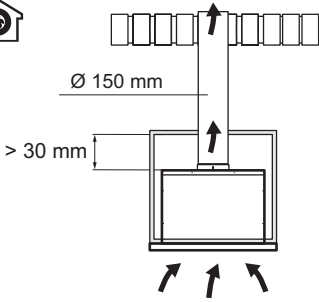
- Contact your municipal authority for information on how to dispose of the appliance.
- Disconnect the appliance from the mains supply.
- Cut off the mains electrical cable close to the appliance and dispose of it.

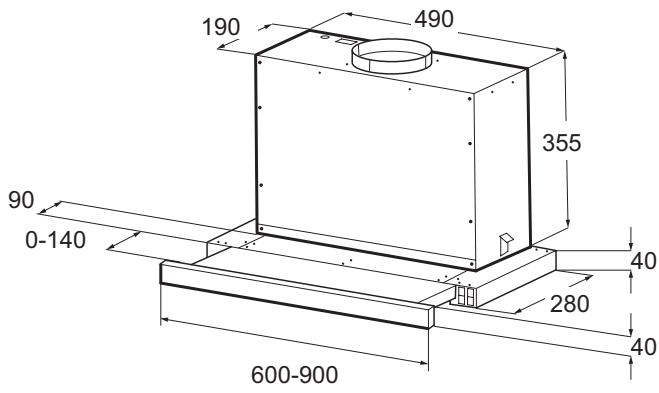


 **YouTube** www.youtube.com/electrolux
www.youtube.com/aeg

"How to install your Electrolux / AEG Pull out hood" 



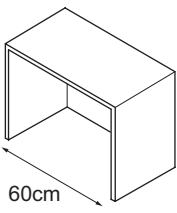




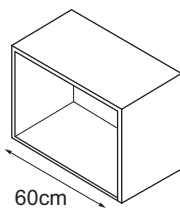
600:
LFP616X

900:
LFP619X

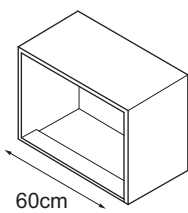
M



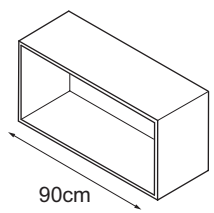
N



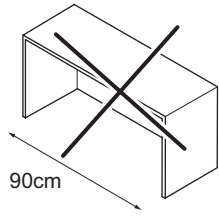
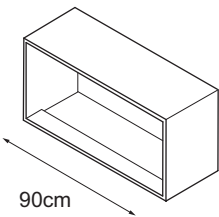
O

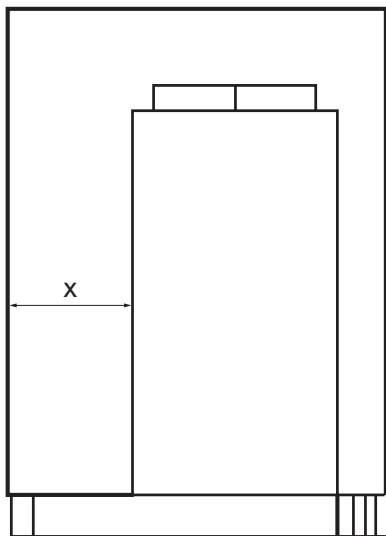


P

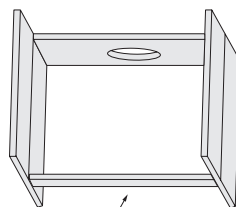
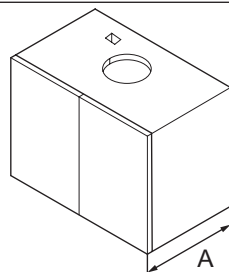


Q



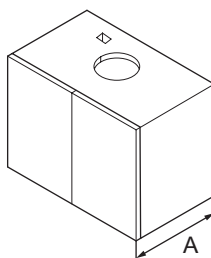


$A = *310\text{mm} \rightarrow X \leq 95\text{mm}$
 $*320\text{mm} \leq A \leq 370\text{mm} \rightarrow X \leq 110\text{mm}$

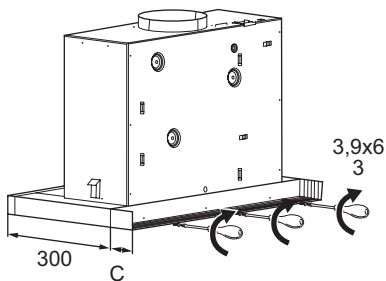
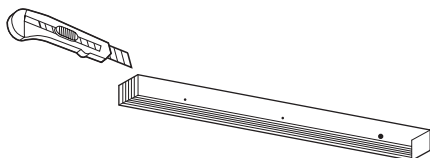


310mm^*
 320mm

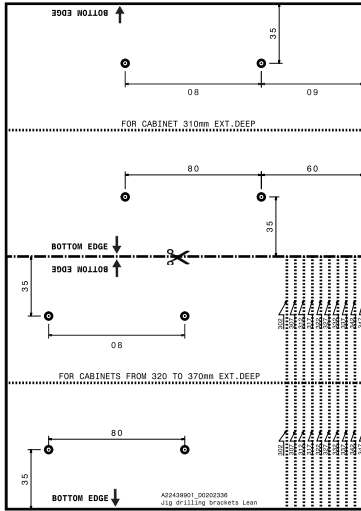
1. M N O P Q



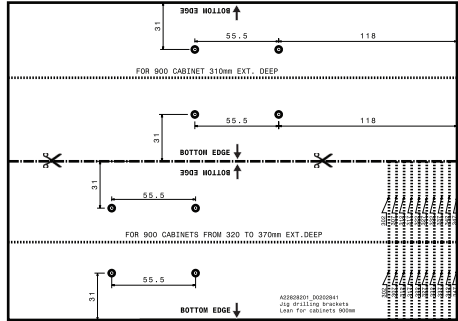
$A = 310\text{mm} \rightarrow C = 5\text{mm}$
 $(320\text{mm} \leq A \leq 370\text{mm}) - 315\text{mm} = C$



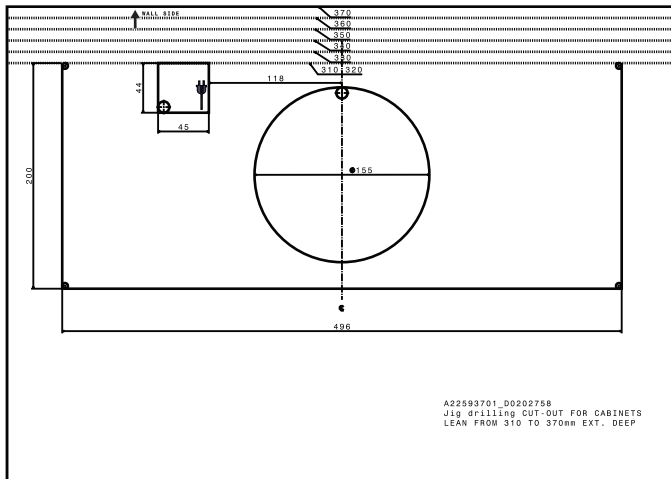
A



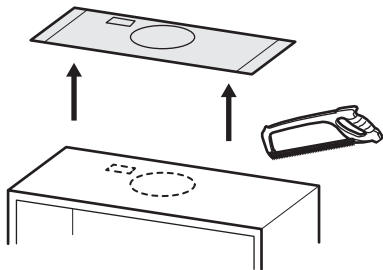
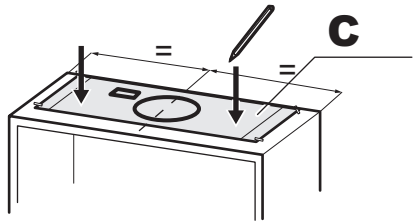
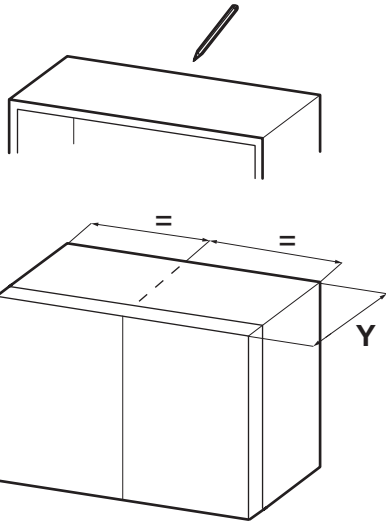
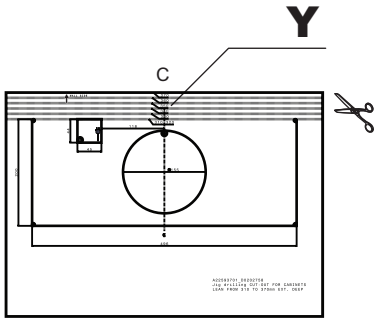
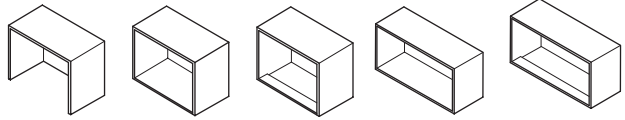
B



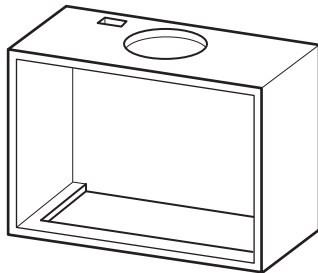
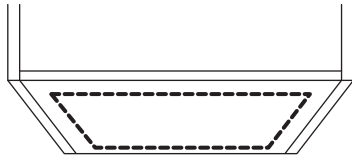
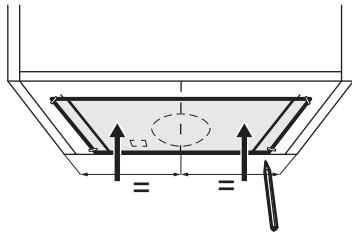
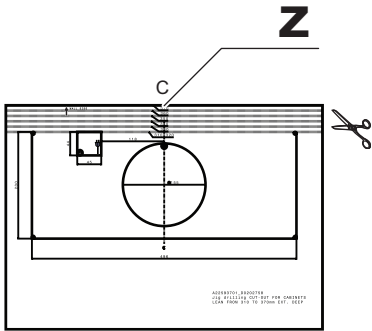
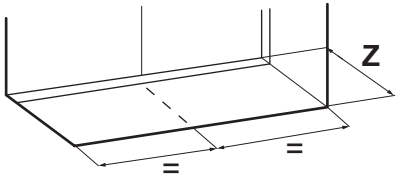
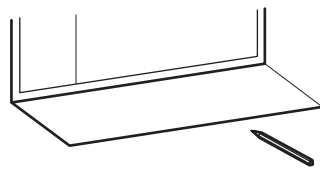
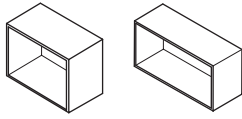
C



2. M N O P Q

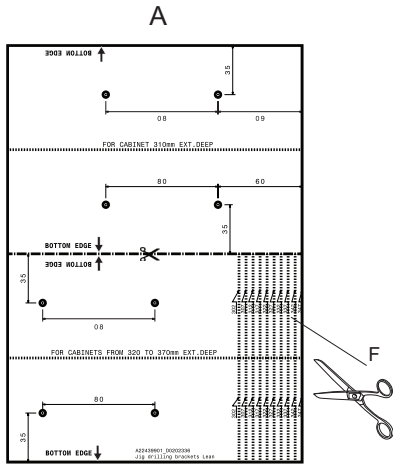
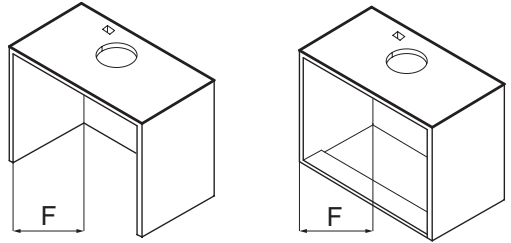


3. NP

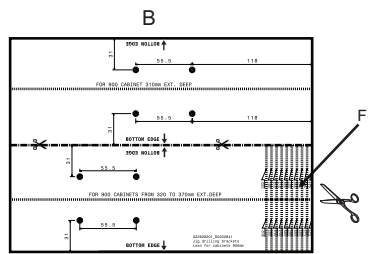
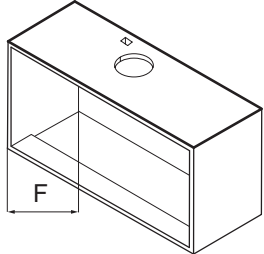


NP → 8.

4.1. M O

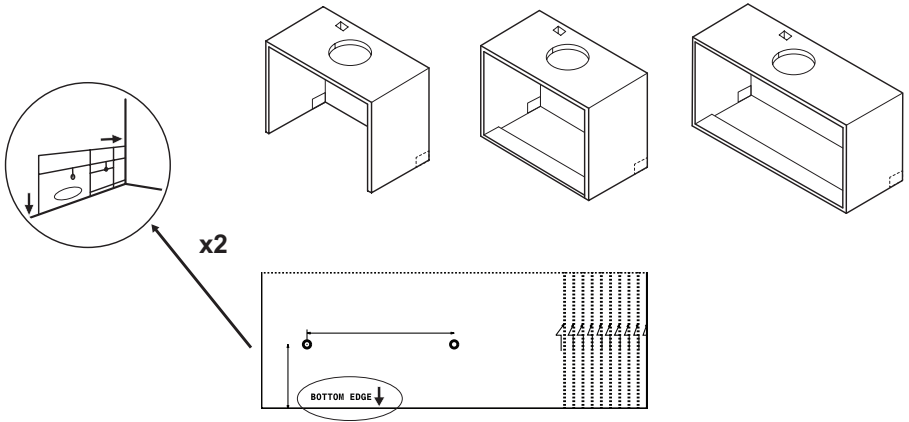


4.2. Q



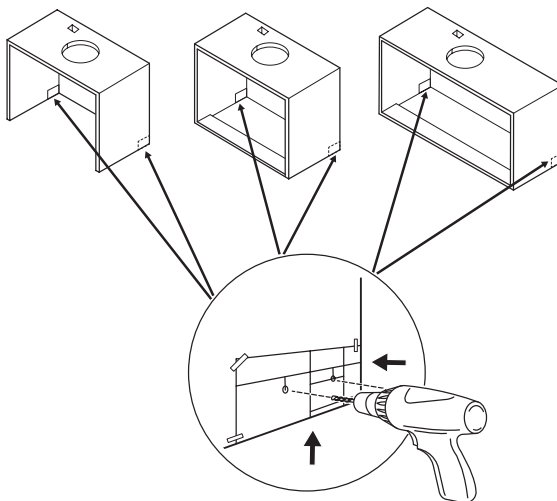
5.

MOQ

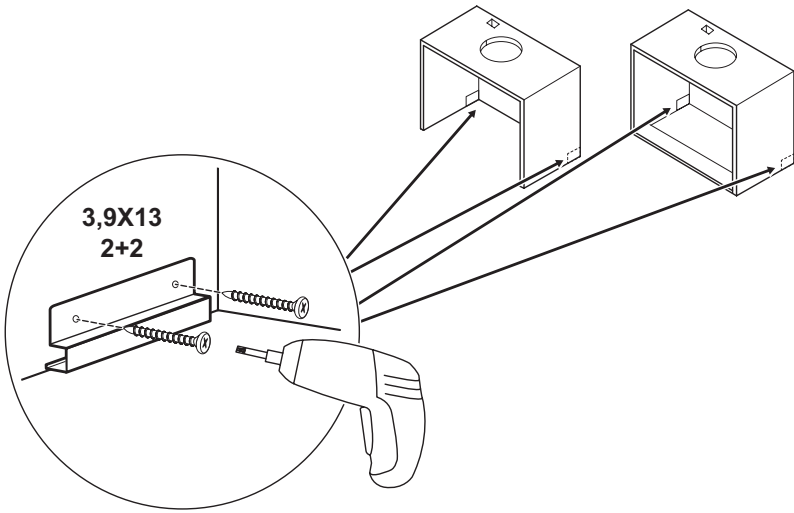


6.

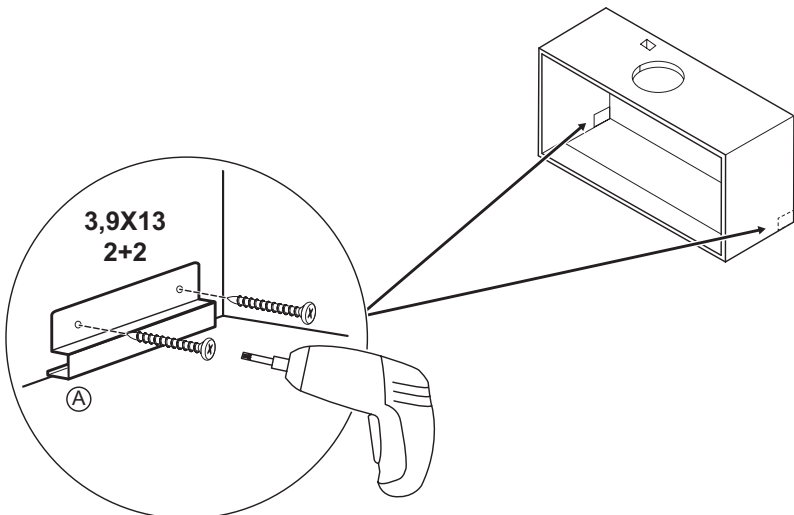
MOQ



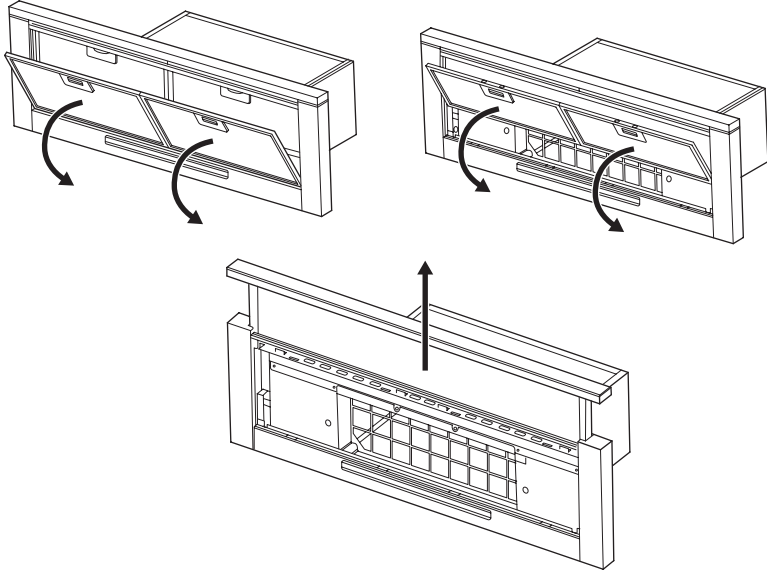
7.1. M O



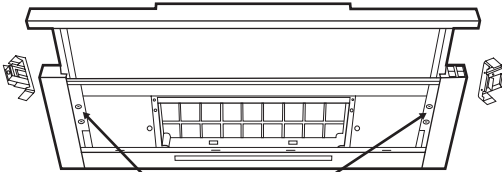
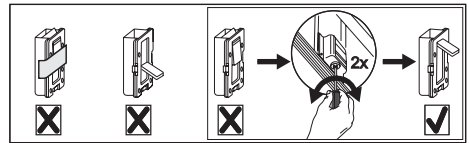
7.1. Q



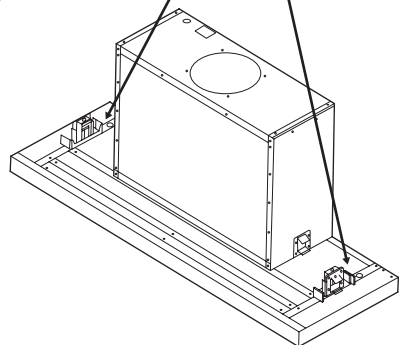
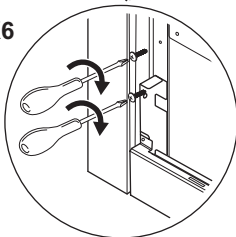
Q 1



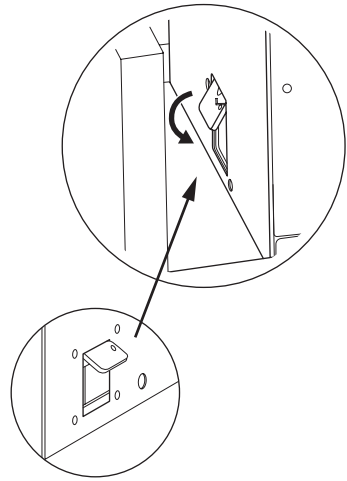
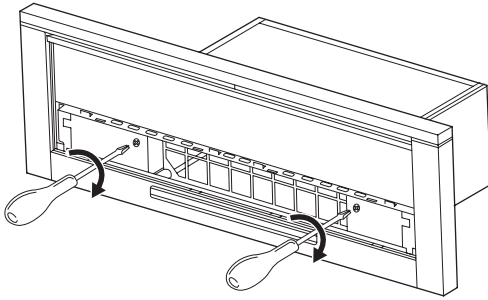
Q 2



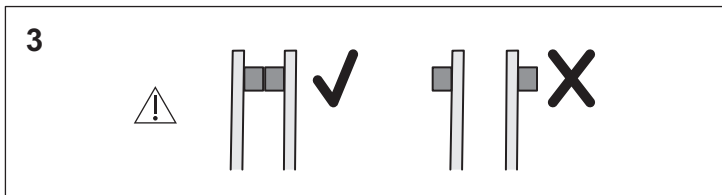
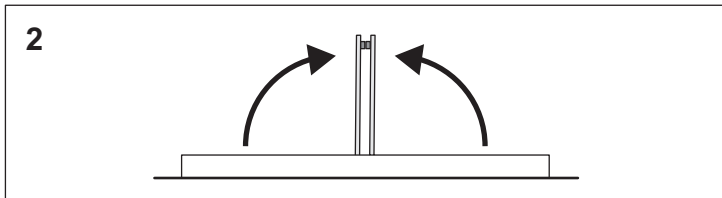
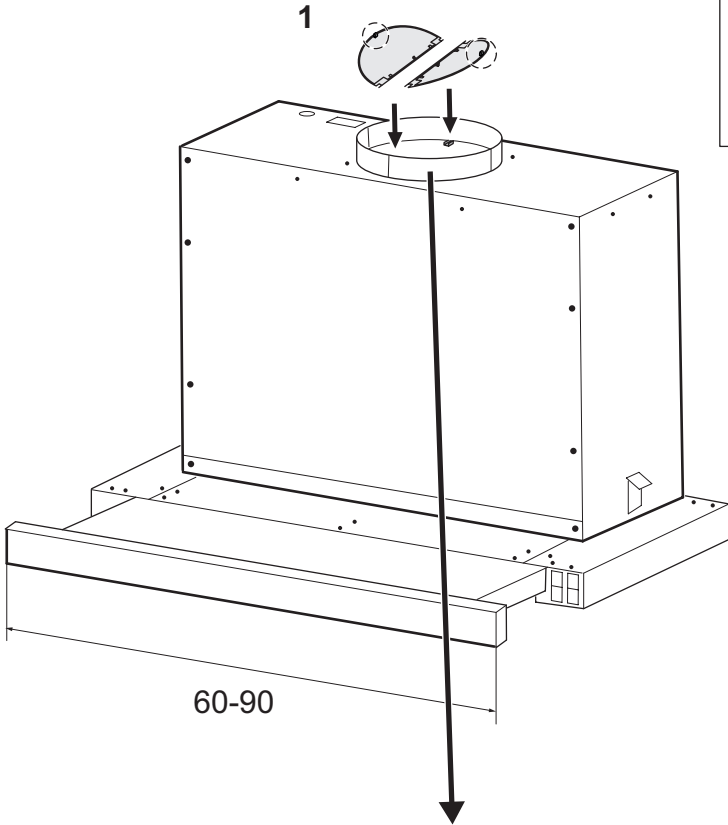
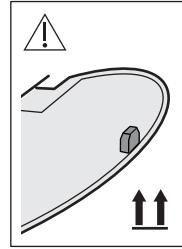
3,9X6
4



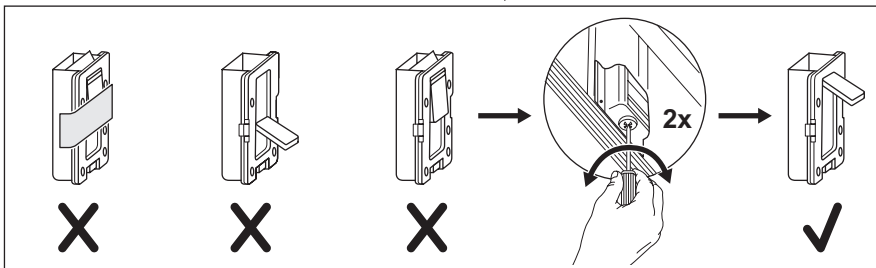
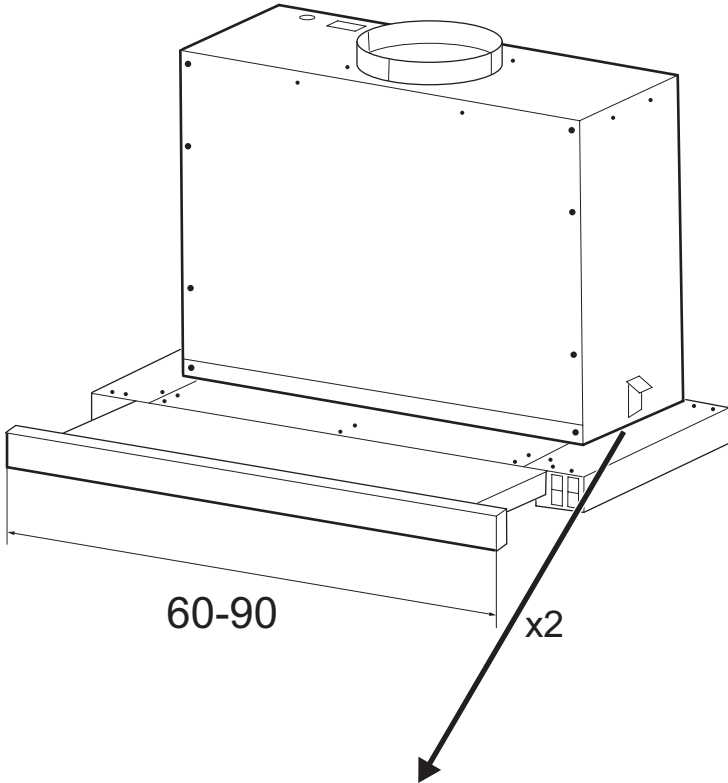
Q 3



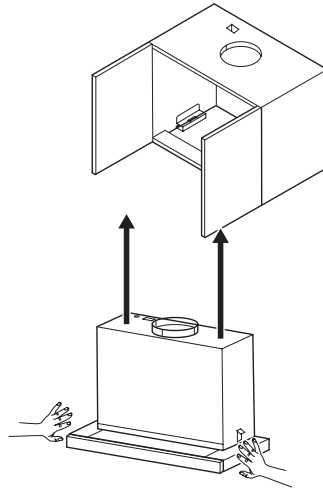
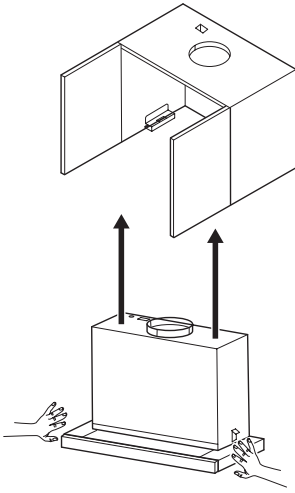
8.1. M N O P Q



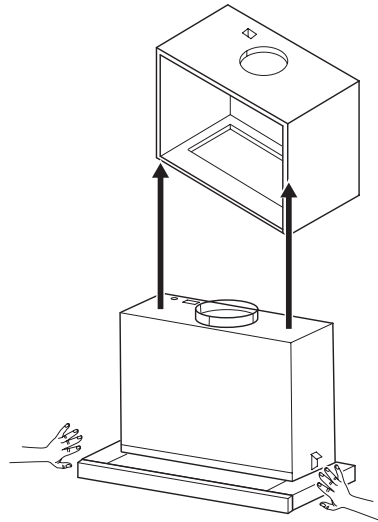
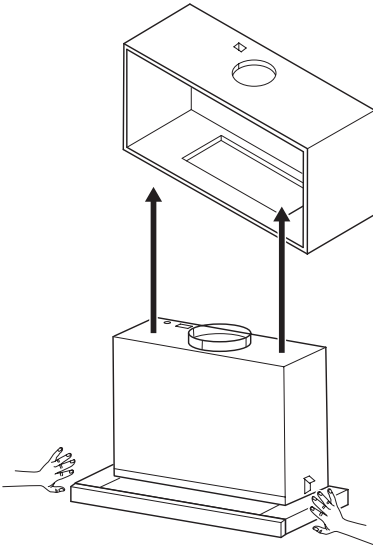
8.2. M N O P



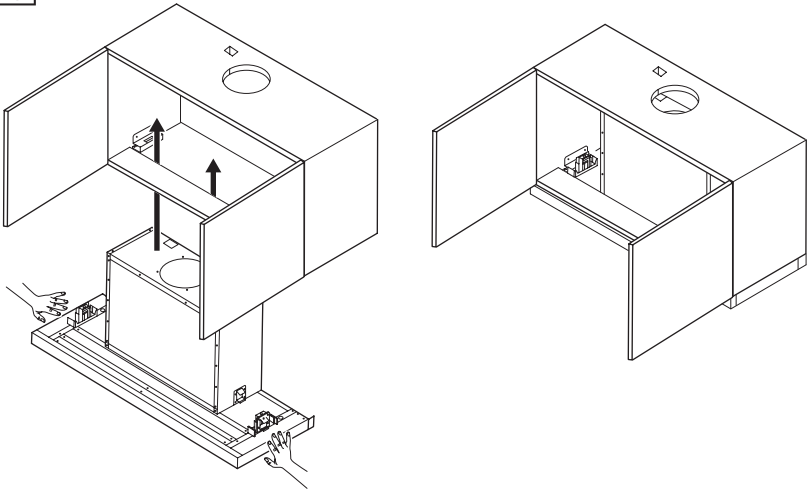
9.1. M O



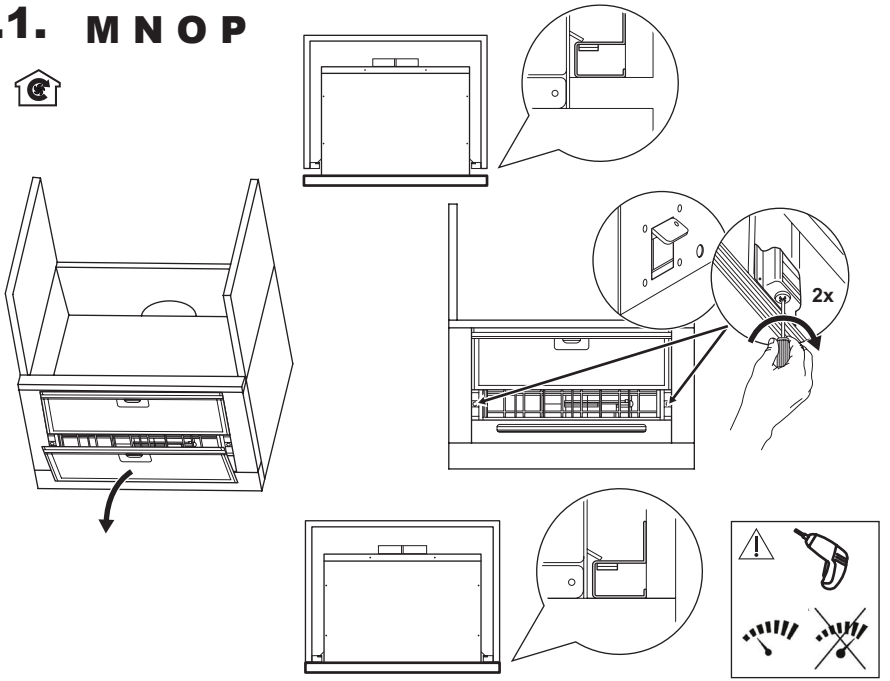
9.2. N P



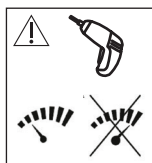
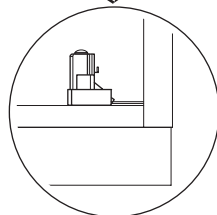
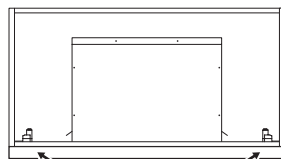
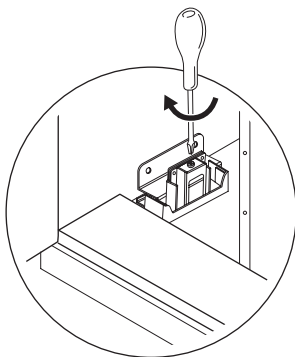
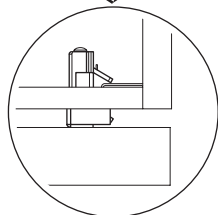
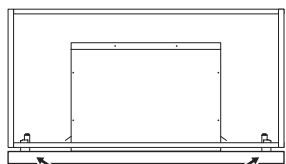
9.3. Q



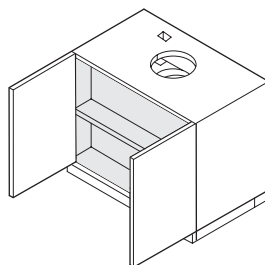
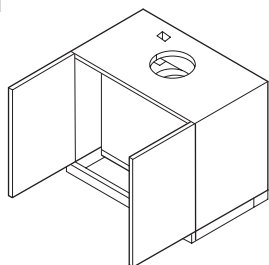
10.1. M N O P



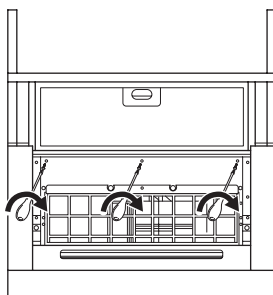
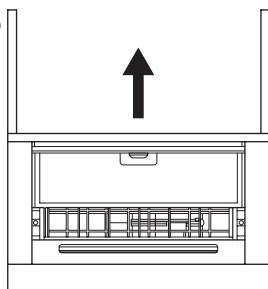
10.2. Q



11.1. M



11.2. M N O P Q

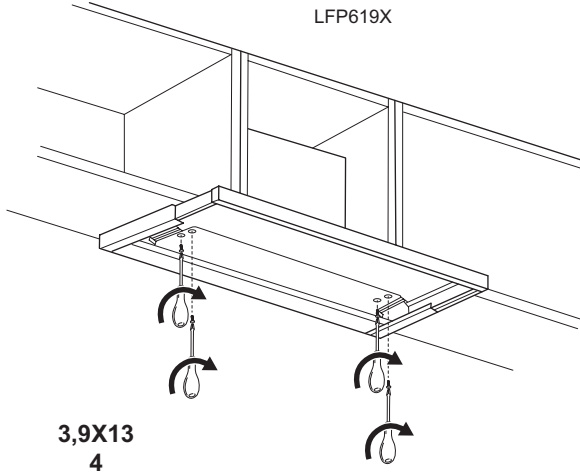


3,9X13
3

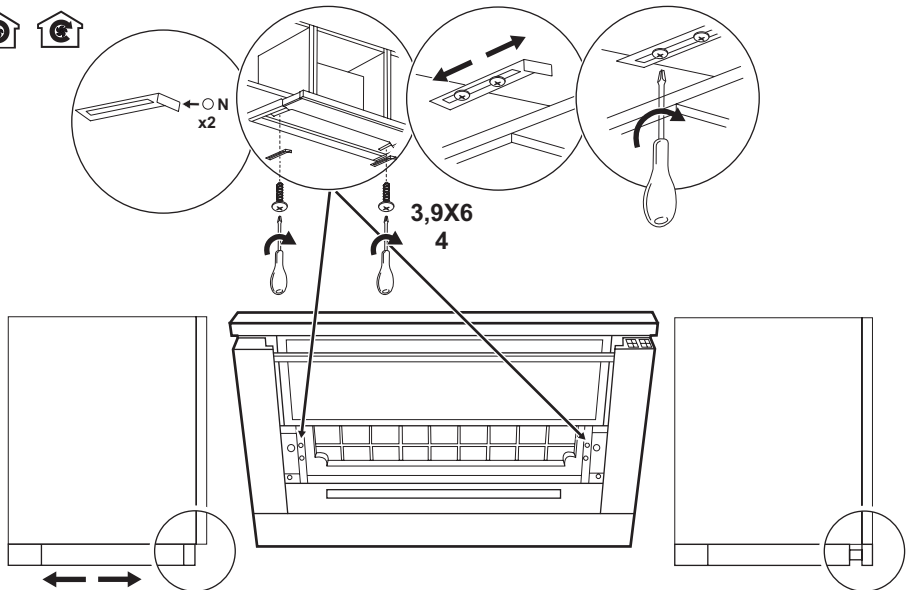
12. M N O P



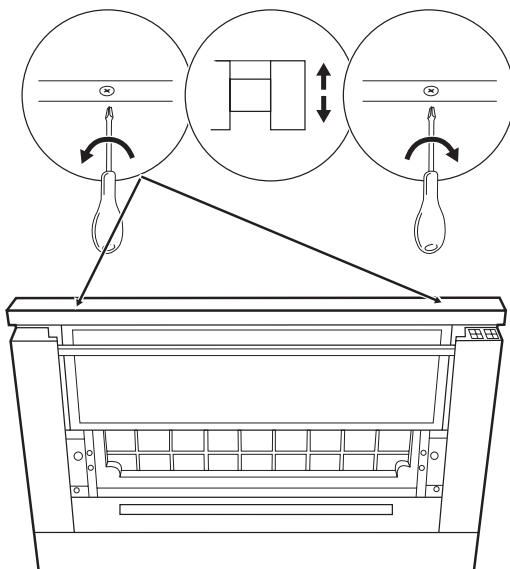
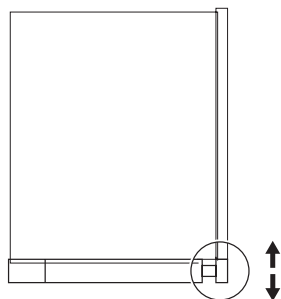
90cm
LFP619X



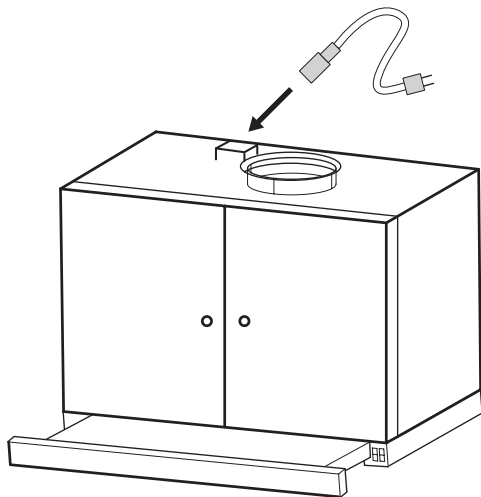
13. M N O P Q



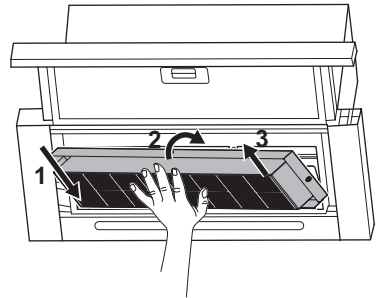
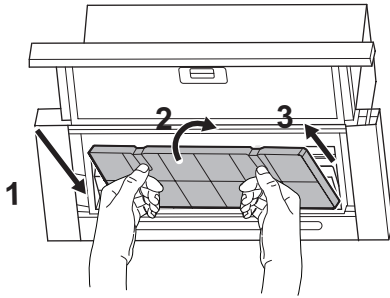
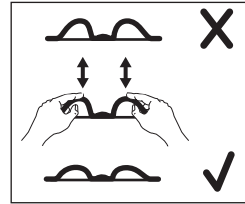
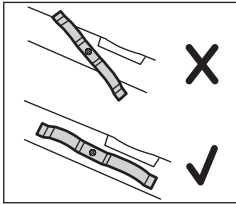
14. M N O P Q



15. M N O P Q



16. M N O P Q



17. M N O P Q

